



Mobile DVR 4ch Digital Recording System

★SA-650HD

★SA-650HD-3GA(3G module)

4CH	H.264	120/100fps NTSC/PAL	Audio	ALARM	2.5" HDD
-20~+65°C (inside vehicle)	DC 8V~28V	G-Sensor	3G Module	GPS	OPTIONAL



SA-650HD

SA-650HD-3GA

Features

1. Provide Video output for playing-back mode in mainframe.
2. Recording format: D1 and CIF
3. Built-in microphone.
4. User friendly player software, easy to operation.
5. Overall quick search event log.
6. The full recording time and date can be showing in the monitor directly.
7. Wide range voltage design.
8. Auto recording after power supplied.
9. Removable HDD Track compatible with 2.5" HDD or SSD.
10. Provide 4 set of alarm input ports, built-in buzzer.
11. Firmware can be upgraded via USB port.
12. Support recording audio, video, G-sensor and GPS data at the same time.
13. Optional for 3G module, control the driving status and data at any time.

PLAYER Operational instruction

G Sensor

X: LEFT RIGHT Y: FRONT BACK

Z: UP DOWN

X: The G-force from left & right of the car.
Y: The G-force from front & back of the car.
Z: The G-force from upside & downside of the car.

Position

Latitude & Longitude Coordinates

Speed Meter

Play

Play Speed

Volume

Play and setting instruction

Display

Google Map

Vehicle Tracking Management System

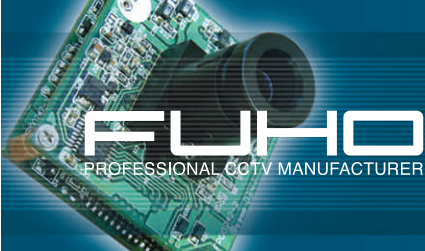
Mobile DVR 4CH Standalone Digital Video Recorder

3G operating management system

SA-650HD-3GA

Application Guide

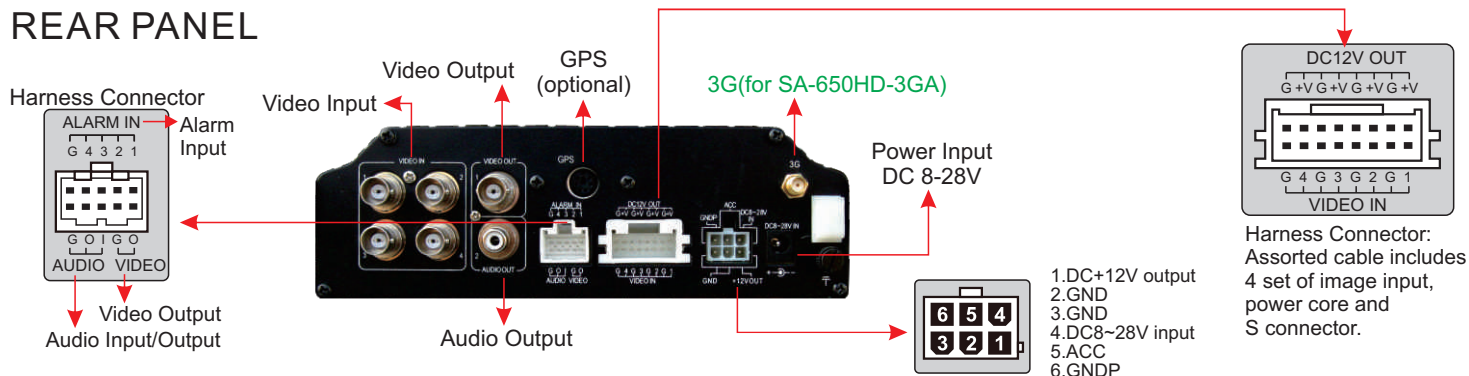
AVM-930 School Bus	AVM-730H Police Car	AVM-950H SUV
AVM-730A AVM-730B-BV Taxi	Vandal Dome Camera VP-326H Armored Truck	AVM-930-BV Ambulance



Mobile DVR 4ch Digital Recording System

★SA-650HD ★SA-650HD-3GA(3G module)

REAR PANEL



Specification

Item	Description	
Video Format	NTSC	PAL
Video Input	4CH Input / BNC	
Audio Input	1CH Input / Harness Connector	
Video Output	1CH Output /BNC	
Audio Output	1CH Output /RCA	
Alarm Input	4 Alarm Input	
Alarm Output	Buzzer	
Display Mode	Full Screen, 4 Split, Auto-Switch	
Display Resolution	720 x 480	720 x 576
Recording Resolution	D1	720 x 480
	CIF	360 x 240
Recording Frame	Max. 120 FPS	Max. 100 FPS
Compression Format	H.264 Technology	
Operation System	Embedded Linux Kernel	
Simplex	Record / Playback	
Recording Mode	Real Time Recording	
Delaying-record function after power off	15/30/60/120 Minutes	
LED Indicator	Power, HDD	
Event Mode	Alarm Trigger / Video Loss	
Playback Mode	Normal Speed x1	
Network	3G module (for SA-650HD-3GA)	
GPS	GPS(optional)	
Storage Type	2.5" HDD	
Firmware Update	USB	
Multi-Language	English / Traditional Chinese / Others (Customizable)	
G Sensor	G Sensor	
Operation	IR Remote Controller	
Power Supply	DC 8V~ 28V	
Dimension	180mm x 210mm x 58mm (W x D x H)	
Weight	3Kg (with bracket without HDD)	
Operation Temperature	-21°C~+56°C (Inside Vehicle)	

★Version updating is not going to inform, please check the on-going updating information